



Handling System for Hood type Pre-wash Table with Bowl Right to Left, 1800mm

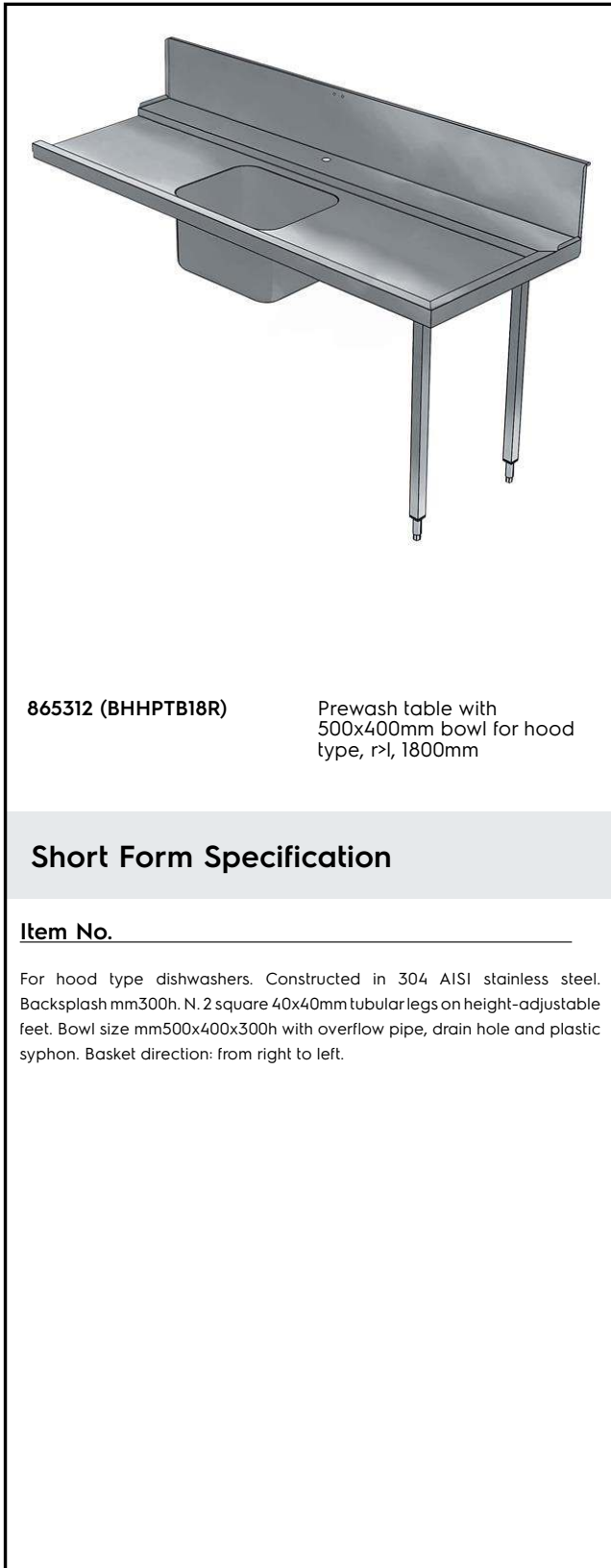
ITEM # _____

MODEL # _____

NAME # _____

SIS # _____

AIA # _____



865312 (BHHPTB18R) Prewash table with
500x400mm bowl for hood
type, r>l, 1800mm

Short Form Specification

Item No. _____

For hood type dishwashers. Constructed in 304 AISI stainless steel. Backsplash mm300h. N. 2 square 40x40mm tubular legs on height-adjustable feet. Bowl size mm500x400x300h with overflow pipe, drain hole and plastic syphon. Basket direction: from right to left.

Main Features

- Supplied knocked-down and easy to assemble.
- Designed for 500x500 mm dishwashing racks.
- Plain undershelves and pre-rinse units available as optional accessories.

Construction

- Stainless steel feet 50 mm adjustable in height to ensure that tables drain back into the dishwasher.
- Included splashback to prevent water spatter.
- Deep anti-drip profiles completely folded with lower edge for safe and easy cleaning.
- All surfaces smooth with polished finish.
- 40x40 mm square tubular legs in AISI 304 stainless steel.
- 700x500x300mm bowl available upon request.
- Constructed entirely in 304 AISI stainless steel.
- To be secured to the dishwasher and fitted with one pair of legs at the other end.

Optional Accessories

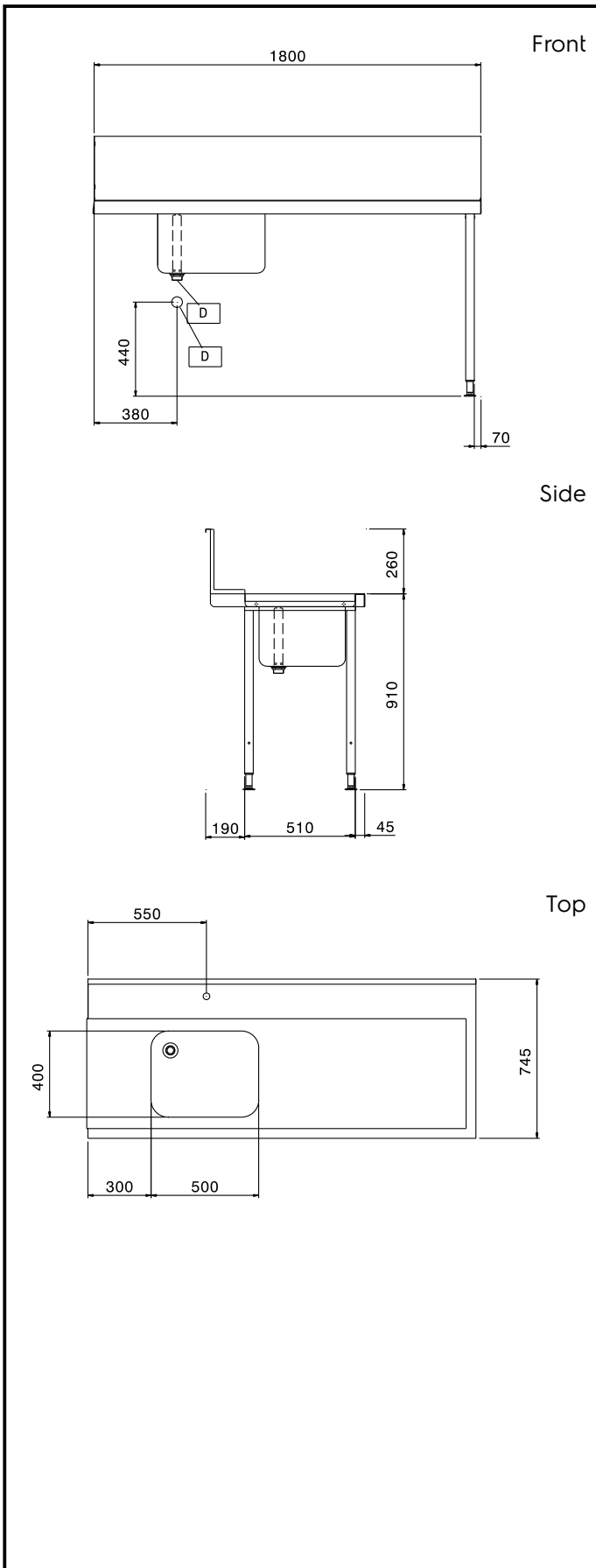
- Prewash spray unit, single hole PNC 855315
- Undershef for dishwasher PNC 865354
table, 1800mm
- Floor fastening kit for 2 square PNC 865386
legs
- Single plastic drain syphon 2 PNC 895313
" for sinks

APPROVAL: _____



Key Information:

External dimensions, Width:	1800 mm
865312 (BHHPTB18R)	1800 mm
External dimensions, Depth:	745 mm
External dimensions, Height:	1170 mm
Net weight:	16 kg
Splashback Dimensions, Height:	300 mm
Basin dimensions:	500x400x300h



Handling System for Hood type
Pre-wash Table with Bowl Right to Left, 1800mm

The company reserves the right to make modifications to the products without prior notice. All information correct at time of printing.